



Ultimate

PROUDLY
AUSTRALIAN MADE

ultimatefires.com.au

ELITE SERIES



ULTIMATE ELITE 19

This beautifully designed inbuilt woodheater is ideally suited for the medium sized home. All Elite series features include an enormous bay window viewing area, three-speed industrial fan to circulate heat evenly throughout your home and can heat areas up to 200 square metres.

It is available in several designer colours including Marcasite, Champagne, Coachwood or Gunmetal as well as an optional Gold plated door and comes with Ultimate's 10 year warranty on the firebox.

FACTORY DIRECT **PRICE**

AVAILABLE FINISHES



INSTALLATION

The Ultimate Collection has been designed for easy installation which should be performed by a qualified installer. Ultimate freestanding models can also be installed without the expense of a permanent hearth (see hearth requirements). Inbuilt models are designed to integrate with existing masonry fireplaces of standard dimensions without the need for structural modifications.

HEARTH REQUIREMENTS

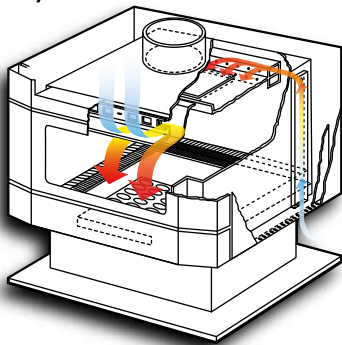
The base of the heater may form an integral part of the hearth with the addition of an extension (as illustrated) and can be constructed from heat resistant materials. It should be fixed to conform with the requirements of Australian Standard AS 2918 - 1990 Section 3.3.2.

FLUE REQUIREMENTS

The flue kit should be installed strictly in accordance with Australian Standard AS 2918 - 1990. Thermal testing of the units was carried out using a Western Valley Pty. Ltd. Valley single flue kit. Installation is not restricted to the use of the above brand of flue kit, but any flue kit used must have been tested to conform with the requirements of Australian Standard AS 2918 - 1990 with the unit.

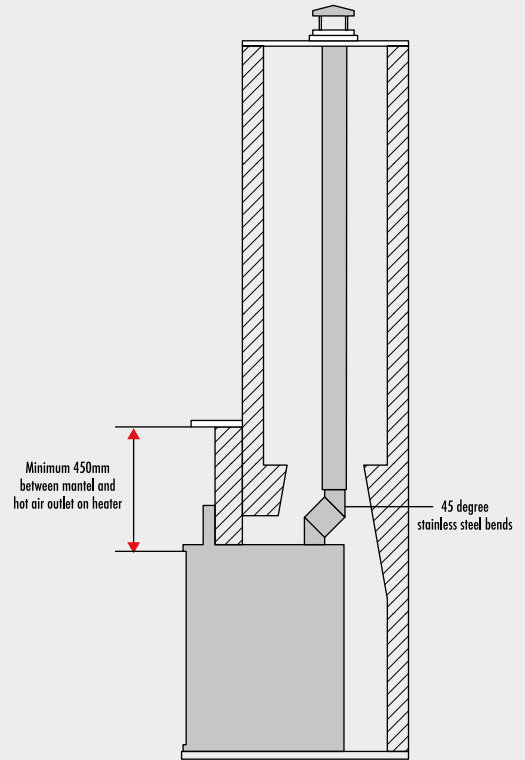
TRIPLE BURN SYSTEM

Primary air is drawn into the firebox through the airports above the door, it washes downover the glass door into the fuel at the bottom of the firebox creating primary ignition. The combustible gases rise to the baffle plate where secondary air is injected into the firebox, igniting those gases and creating secondary combustion. Any Unburnt gases are then drawn over the ceramic glow plug where tertiary air is introduced to complete the final stage of our Triple Burn System.

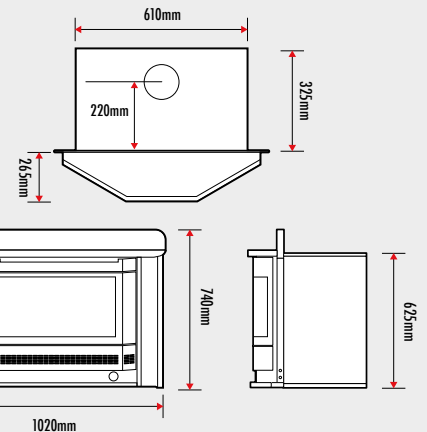


TYPICAL INSTALLATION

EXAMPLE INTERNAL INSTALLATION



HEATER DIMENSIONS



	HEIGHT	DEPTH	WIDTH	WEIGHT	FRONT FASCIA TO CENTRE FLUE
REAR CASING	625mm	325mm	610mm	185kg	220mm
FASCIA	740mm		1020mm		

A slight reduction in performance may result through high ceilings, large glass areas, lack of insulation or drafts. Ultimate distribution reserves the right to alter specifications without notice. Photos are for illustrative purposes only. Colours may vary due to the printing process.

Ultimate LOCATIONS

DANDENONG

145 SOUTH GIPPSLAND HWY,
DANDENONG, VIC 3175
PHONE: (03) 9706 9866

EPPING

SHOP 12/560 HIGH ST.
VICTORIA. 3076
PHONE: (03) 8401 4225

BALLARAT

845 HOWITT ST.
WENDOUREE VIC .3355
PHONE: (03) 5338 2586

ADELAIDE

355 MAIN NORTH RD.
ENFIELD, SA. 5084
PHONE: (08) 8359 8300

HOBART

88 GROVE ROAD.
GLENORCHY, TAS. 7010
PHONE: 03 6272 1476

LAUNCESTON

63 HOLBROOK ST,
INVERMAY, TAS 7248
PHONE: (03) 6333 0858